



About Us

Zhejiang Shuangqiang Industry and Trade Co., Ltd. is located in Tongqin Hardware Machinery Industrial Park, Wuyi City, Zhejiang Province. Established in 2001, it is a high-tech enterprise with a 23 year history specializing in stainless steel pressure cookers.

We have implemented the ISO9001 quality assurance system since the establishment of our company. Our series of products have successively obtained CE, KC, LFGB, and GS certifications from professional institutions. Our series of products are popular in global markets and have been recognized by customers, such as Europe, the United States, the Middle East, South Korea and other markets

At present, the company has advanced automated production lines, skilled workers, top professional and technical personnel in the industry, strict quality management systems, and advanced testing equipment. The company has always inherited a friendly environment and a people-oriented management philosophy, committed to providing customers with Most cost-effective in the market

We adhere to the sincere principle that "your suggestions are our commitment, and your evaluation is our great future.". We hope to become one of your eternal golden partners!"

Let's "MAKE COOKING FAST AND EASY" together.

Our scale⁺



20,000m²
Production Base



100+
Workers



800,000pcs
Annual output



R&D staffs
R&D staffs



600+
Patent





Office Environment

FUTURE

To be continued...

2021 10 million+

The production value reached 10 million USD.

2017 Might doubled

Created own brand and brought to market.

2010 Promotion

The production value reached 5 million USD.

2006 Growth

Established own R&D and technical team;

2001 Set sailing

Shuangqiang was founded and started to design and produce stainless steel products.





Certification



NAVIGATION

DST series ▶
07-08



DSJ series ▶
09



◀ **DSU series**
10



◀ **DSD series**
11-12



OTHER DS series ▶
13-18



DSL Mini series ▶
19



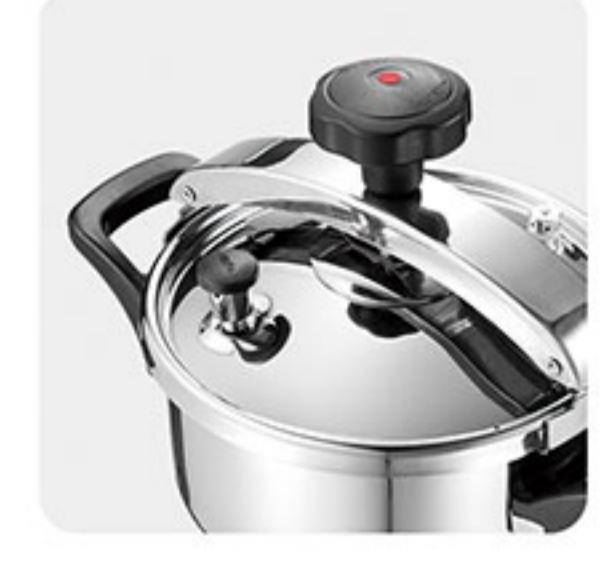
◀ **CSK series**
24



◀ **AS series**
20-23

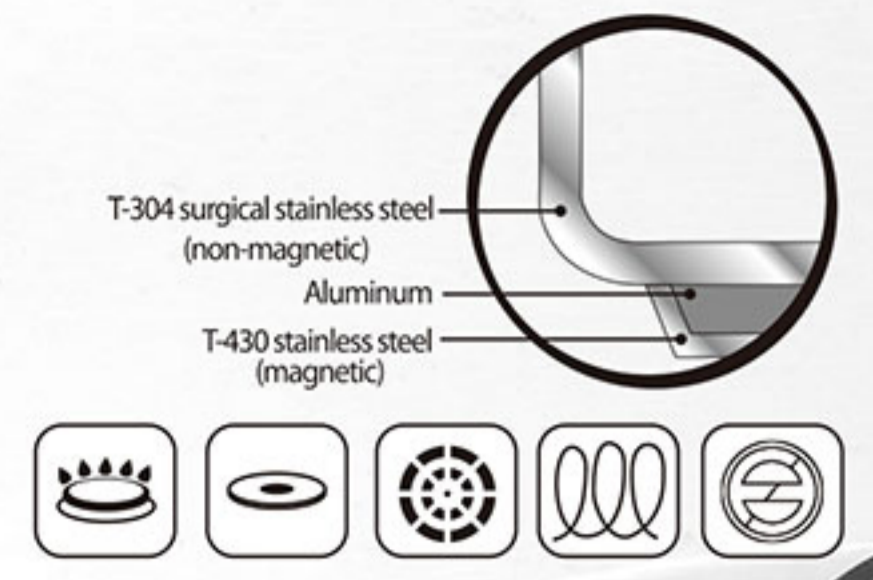


CSQ series ▶
25



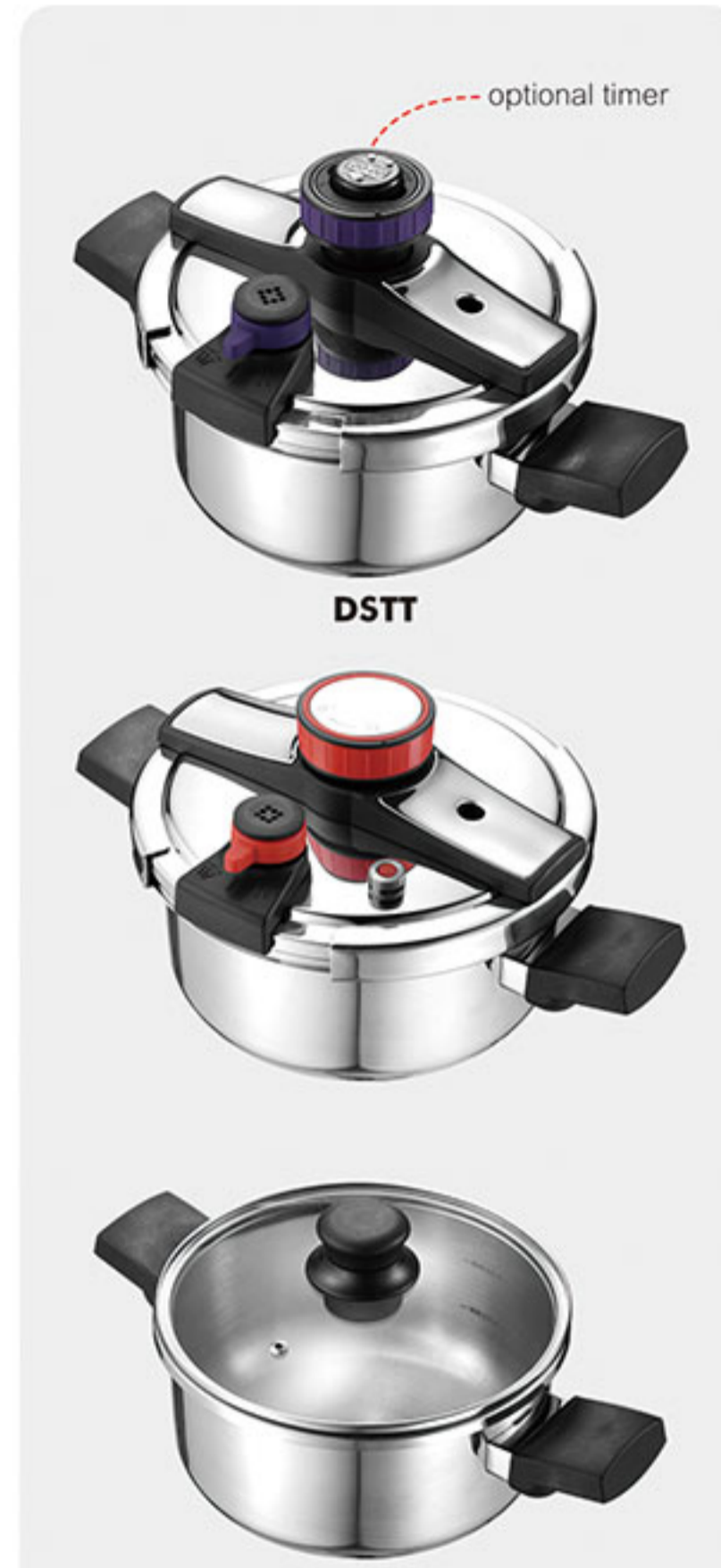
Accessory series ▶
26





THE COOKED DISHES ARE MORE DELICIOUS AND DELICIOUS

DST
STAINLESS STEEL
PRESSURE COOKER
SERIES



Characteristic

1. Side handles
Stay-cool bakelite handles are ergonomically designed;
2. Pressure limited valve
Stainless steel material hold the working pressure stably;
3. Turning handle:
Easily open & close systems;
4. Safety valve
4Kpa inside lock the lid;110Kpa-150Kpa pressure relief;
5. Safety window
Never explosive for using;



Pressure limited valve



Lock switch

Any color can be customized

DIAMETER	CAPICITY	MATERIAL
20CM	3/4/5L	stainless steel
22CM	4/5/6/7/8L	
24CM	4/5/6/7/8/9/10L	
26CM	6/7/8/9/10/11/12L	

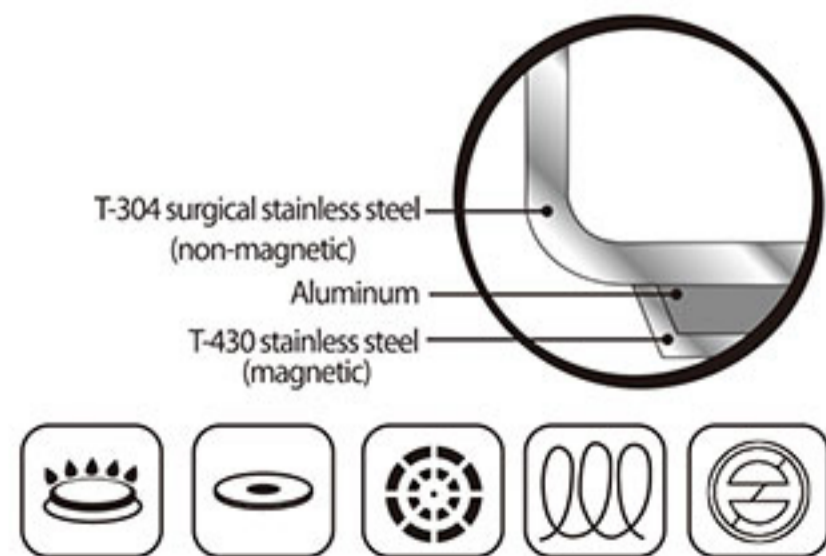
DSJ
STAINLESS STEEL
PRESSURE COOKER
SERIES



Pressure limited valve



Lock switch



Any color can be customized

DIAMETER	CAPACITY	MATERIAL
20CM	3/4/5L	stainless steel
22CM	4/5/6/7/8L	
24CM	4/5/6/7/8/9/10L	
26CM	6/7/8/9/10/11/12L	
28CM	8/9/10/11/12/13L	

Indicator valve:
show different color when
the pressure changes

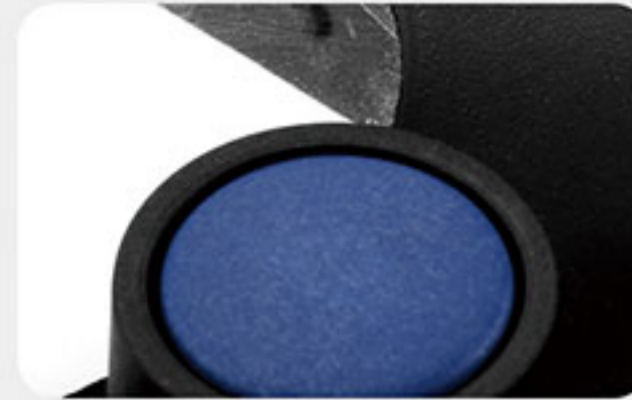
Characteristic

High quality pressure cooker keeps vitamins and minarals during quickcook. Saving energy,Reduce cooking time up to 70%.

Advanced safety features prevent excessive pressure build-up.

Saty-cool bakelite handles are ergonomically designed to make for easier using.

DSU
STAINLESS STEEL
PRESSURE COOKER
SERIES



Indicator valve:
show different color when
the pressure changes



DSUT



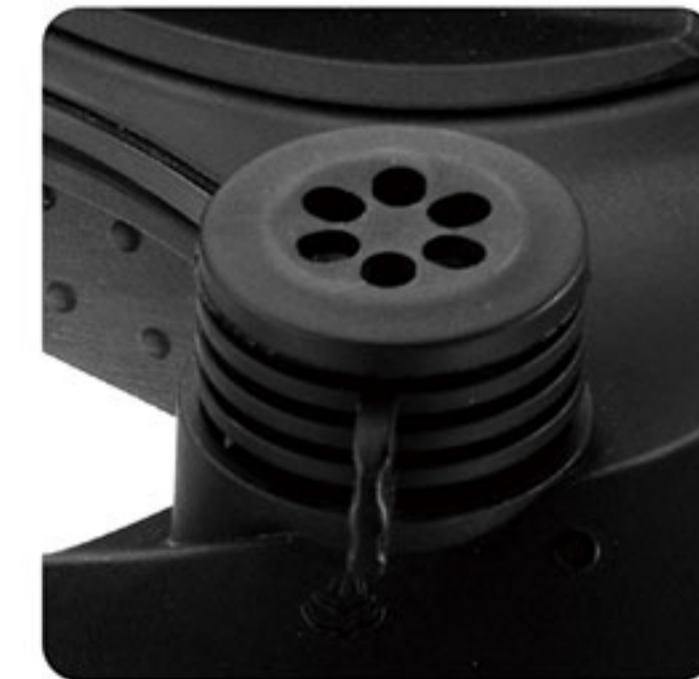
Characteristic

High quality pressure cooker keeps vitamins and minarals during quickcook.

Saving energy,Reduce cooking time up to 70%.

Advanced safety features prevent excessive pressure build-up.

Saty-cool bakelite handles are ergonomically designed to make for easier using.



Pressure limited valve



Optional timer

Any color can be customized

DIAMETER	CAPACITY	MATERIAL
22CM	4/5/6/7/8L	stainless steel
24CM	4/5/6/7/8/9/10L	



DSST ▶



DSS ▶



Pressure limited valve



Pressure limited valve



Optional timer



Lock switch



Characteristic

High quality pressure cooker keeps vitamins and minerals during quickcook. Saving energy, Reduce cooking time up to 70%. Advanced safety features prevent excessive pressure build-up. Stay-cool bakelite handles are ergonomically designed to make for easier using.

Any color can be customized

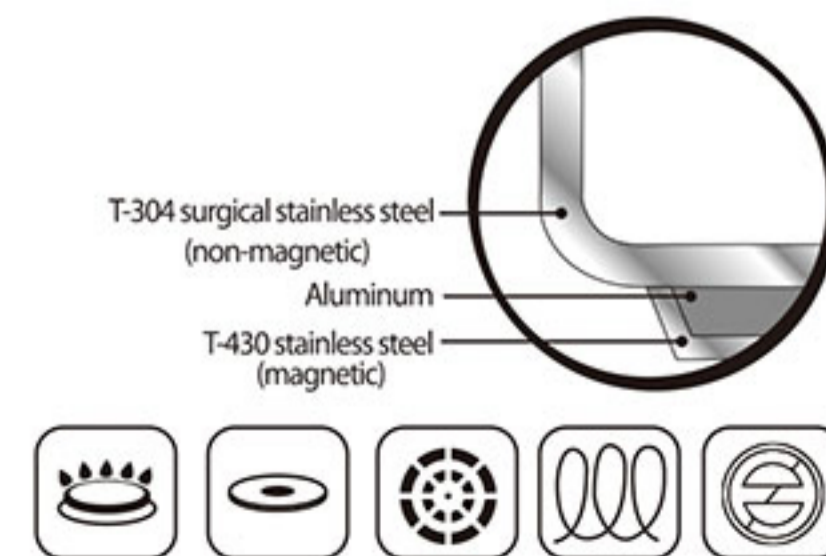
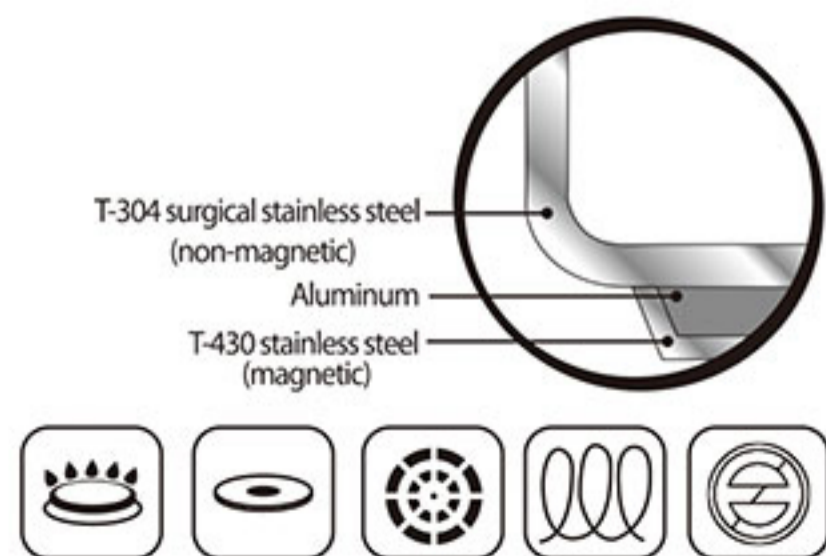
DIAMETER	CAPACITY	MATERIAL
22CM	4/5/6/7/8L	stainless steel

Characteristic

1. Side handles
Stay-cool bakelite handles are ergonomically designed;
2. Spring Pressure limited valve
2 speed, 60Kpa and 90Kpa
3. Indicator valve
Easily looking marks remind the users;
4. Safety valve
4Kpa inside lock the lid; 110Kpa-150Kpa pressure relief;
5. Safety window
Never explosive for using;

Any color can be customized

DIAMETER	CAPACITY	MATERIAL
22CM	4/5/6/7/8L	stainless steel





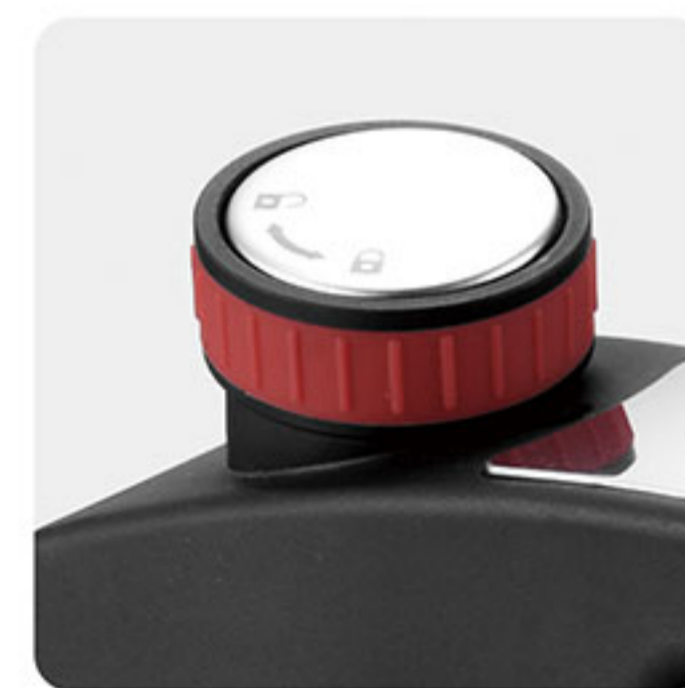
Pressure limited valve



Lock switch



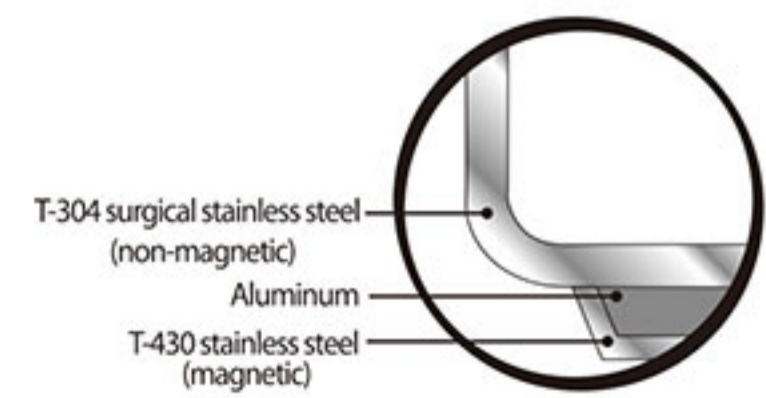
Pressure limited valve



Lock switch

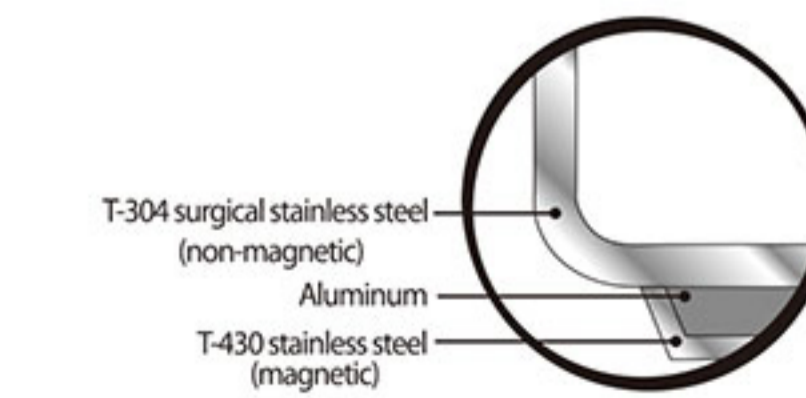


Upright pot lid



Any color can be customized

DIAMETER	CAPACITY	MATERIAL
22CM	4/5/6/7/8L	stainless steel



Any color can be customized

DIAMETER	CAPACITY	MATERIAL
22CM	4/5/6/7/8L	stainless steel





Pressure limited valve



Lock switch

Any color can be customized

DIAMETER	CAPACITY	MATERIAL
13CM	0.8/1.0/1.2L	stainless steel
15CM	1.6/2.0/2.2L	



Pressure limited valve

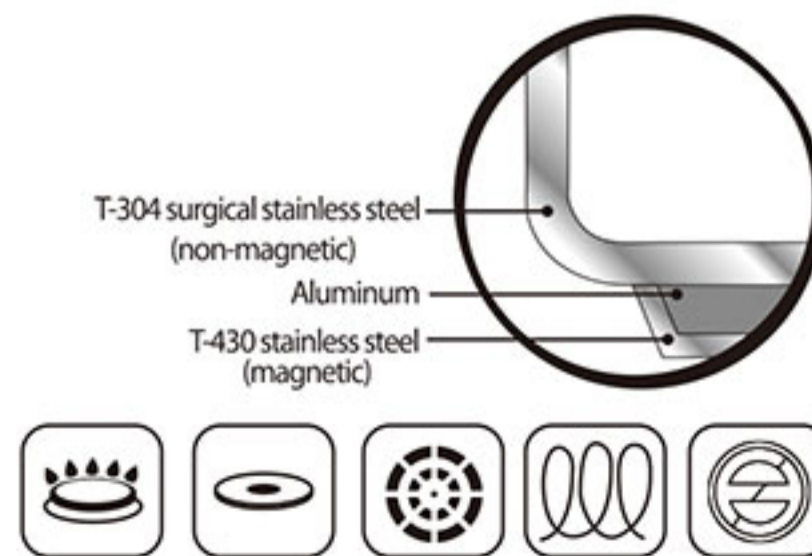


Lock switch



Any color can be customized

DIAMETER	CAPACITY	MATERIAL
22CM	4/5/6/7/8L	stainless steel



ASF
STAINLESS STEEL
PRESSURE COOKER
SERIES



Pressure limited valve



Lock switch



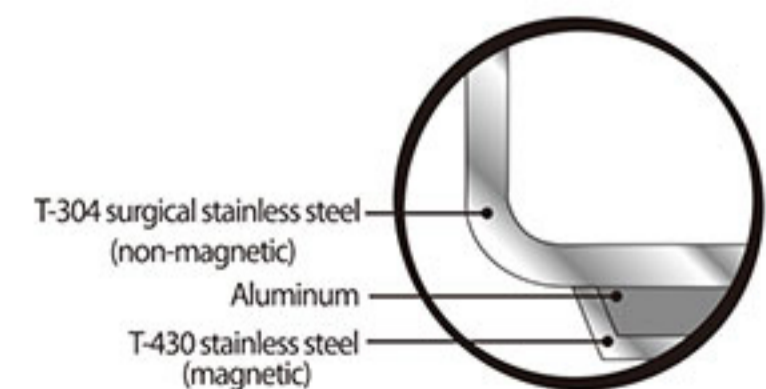
Pressure limited valve



Anti slip handle

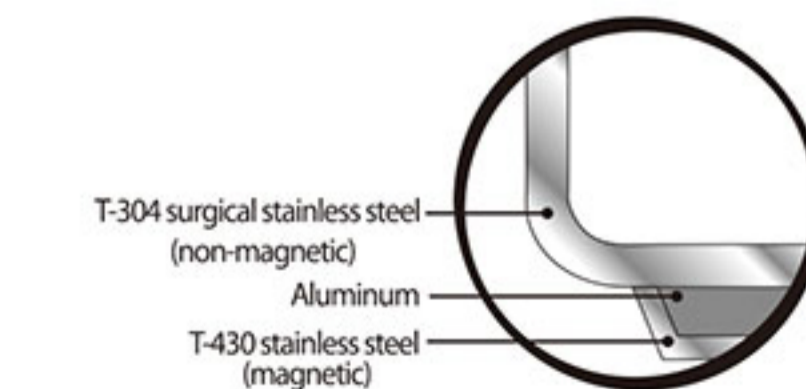


ASA
STAINLESS STEEL
PRESSURE COOKER
SERIES



Any color can be customized

DIAMETER	CAPACITY	MATERIAL
22CM	4/5/6/7/8L	stainless steel
24CM	4/5/6/7/8/9/10L	



Any color can be customized

DIAMETER	CAPACITY	MATERIAL
22CM	4/5/6/7/8L	stainless steel



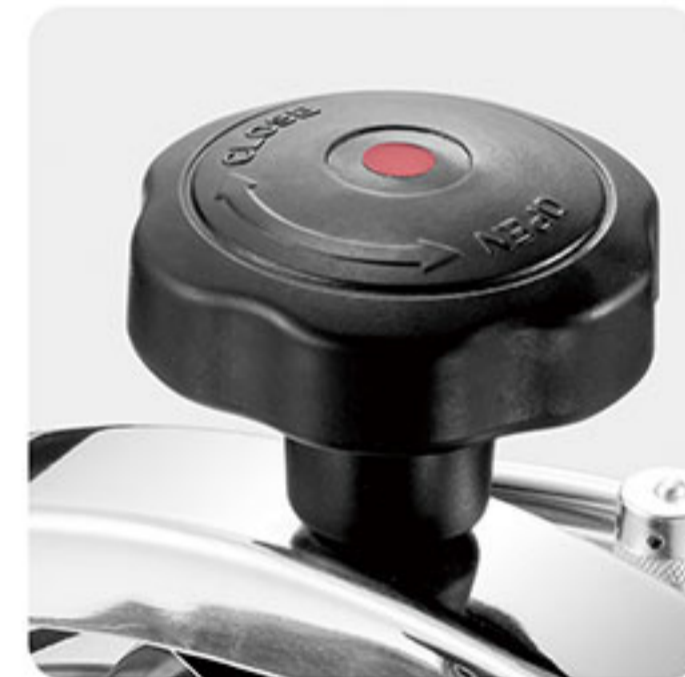
Pressure limited valve



Safety valve



Pressure limited valve



Lock switch

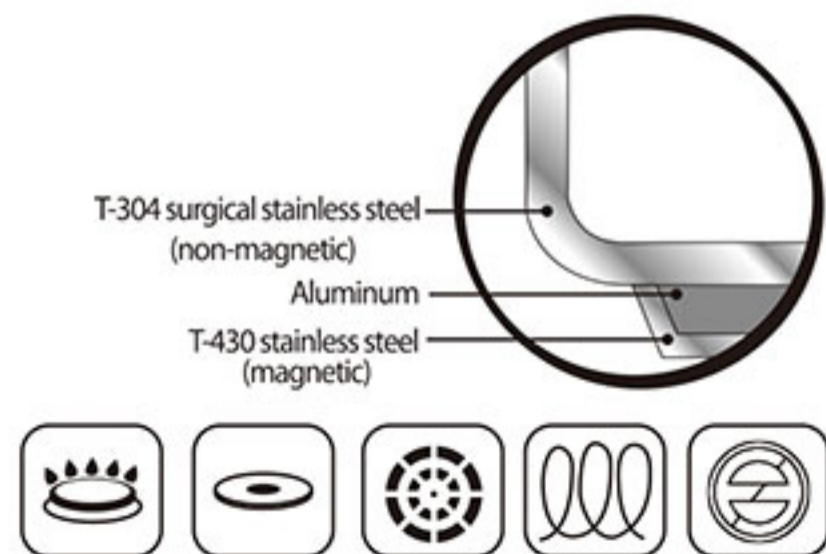


CSA

CSB

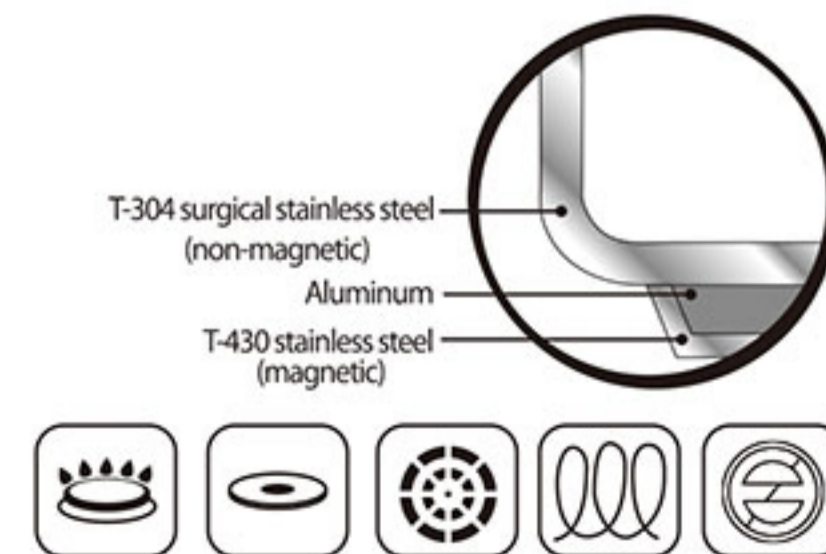
Any color can be customized

DIAMETER	CAPACITY	MATERIAL
20CM	3/4/5L	stainless steel
22CM	4/5/6/7/8L	
24CM	4/5/6/7/8/9/10L	
26CM	6/7/8/9/10/11/12L	
28CM	8/9/10/11/12L	



Any color can be customized

DIAMETER	CAPACITY	MATERIAL
20CM	3/4/5L	stainless steel
22CM	4/5/6/7/8L	
24CM	4/5/6/7/8/9/10L	
26CM	6/7/8/9/10/11/12L	
28CM	8/9/10/11/12L	





SHANGHAI

YIWU
WUYI

SHENZHEN

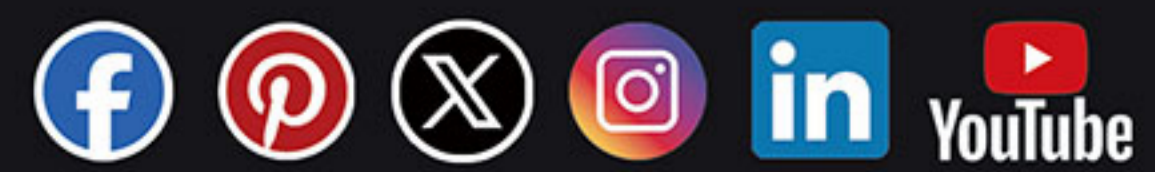
HONGKONG

ZHEJIANG SHUANGQIANG INDUSTRY&TRADE CO.,LTD

Add: No.3 Weiliu West Road,Tongqin industrial Zone,
Wuyi City,Zhejiang,China

Tel: +86-579-87918139

E-mail: 2qiang@2qiang.cn
Web: <http://www.2qiang.cn>
<https://qianqiang.en.alibaba.com>
<http://zjyqq.1688.com>



STAINLESS STEEL
PRESSURE COOKER

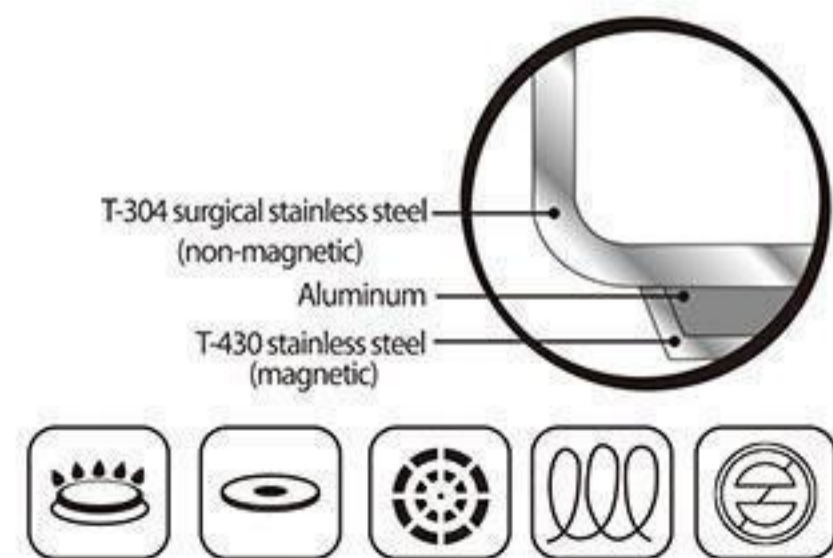
CSQ
STAINLESS STEEL
PRESSURE COOKER
SERIES



Pressure limited valve



Lock switch



Any color can be customized

DIAMETER	CAPACITY	MATERIAL
22CM	4/5/6/7/8L	stainless steel
24CM	4/5/6/7/8/9/10L	

ACCESSORY
STAINLESS STEEL
PRESSURE COOKER



More handles optional



Foldable button



Pressure limited valve



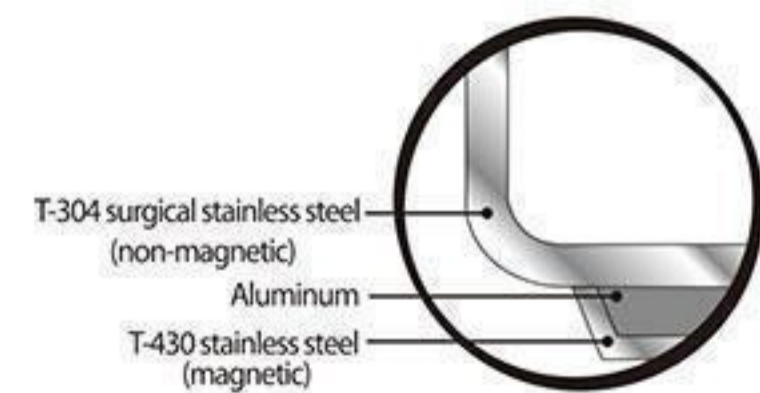
Pressure limited valve



Lock switch

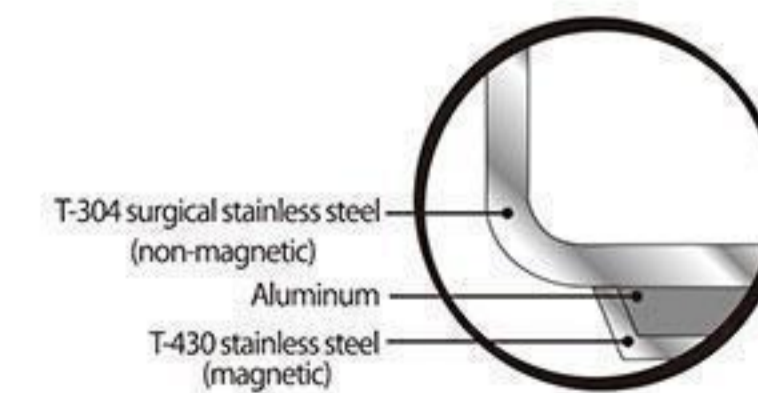


Pressure limited valve



Any color can be customized

DIAMETER	CAPACITY	MATERIAL
22CM	4/5/6/7/8L	stainless steel



Any color can be customized

DIAMETER	CAPACITY	MATERIAL
22CM	4/5/6/7/8L	stainless steel
24CM	4/5/6/7/8/9/10L	

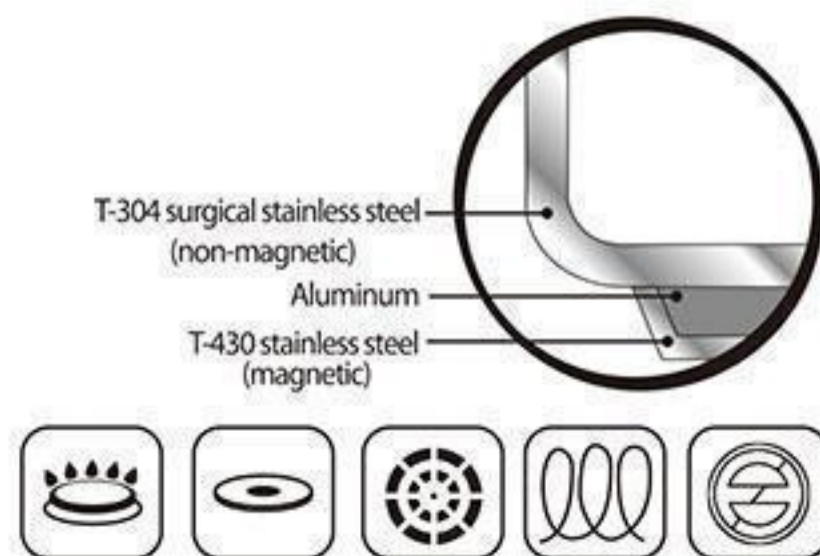




Pressure limited valve

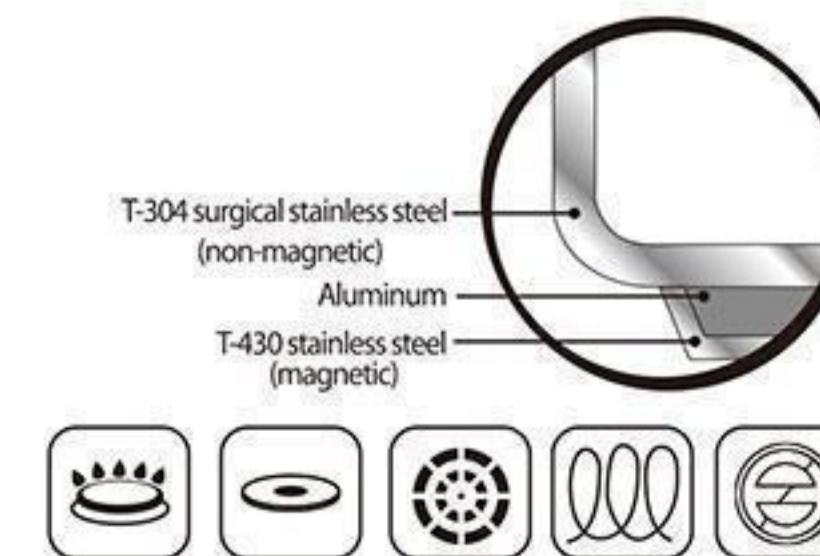


Optional timer



Any color can be customized

DIAMETER	CAPACITY	MATERIAL
22CM	4/5/6/7/8L	stainless steel
24CM	4/5/6/7/8/9/10L	



Any color can be customized

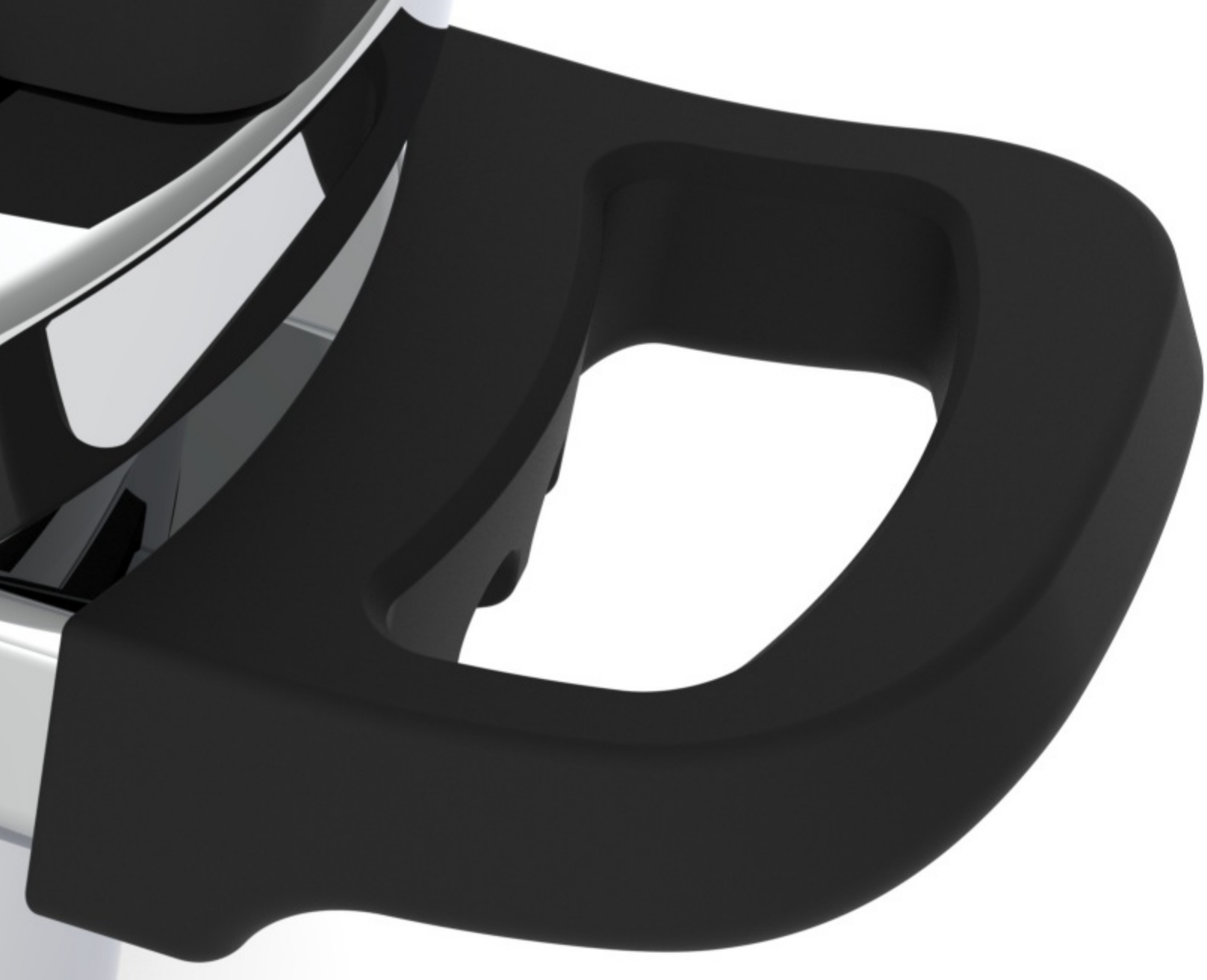
DIAMETER	CAPACITY	MATERIAL
22CM	4/5/6/7/8L	stainless steel





close

open





Contact

Email

bd@nncook.com

Tel

+86 186 5886 8280

Web

nncook.com